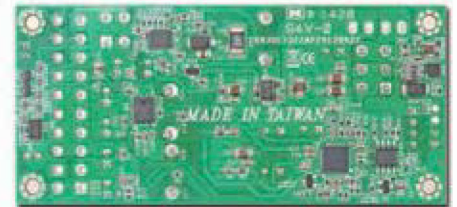
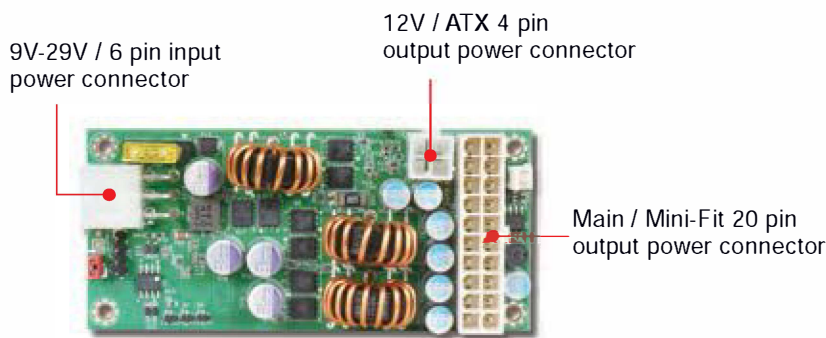


# GADIWA-B9120

120W DC/DC 9V~29V Input/ATX output,  
Board Type Converter



GADIWA-B9120 is a DC to DC wide voltage input board type converter. It normally support continuous 120 Watts and peak 160 Watts. GADIWA-B9120 can save more space and cost. It's not only capability for fan-less system but also suitability for different applications. Besides, the converter is made and tested by automatic production line; therefore, it can provide high quality and better performance.

## FEATURES

- Compact and user-friendly design for installation and maintenance
- Small size for 1U or higher system to save space
- Suitable for Car PC, Steamer, Truck, Boat and Adapter
- Special design for delay-time
- Socket type fuse protection
- -40°C to 75°C wide temperature support

## SPECIFICATION

Input Voltage	9V~29V
Output	120Watts / 160 Watts Peak
Efficiency	>90% @ 12V input, 120W output
MTBF	410,386hrs @ 55°C
EMI & Safety Approval	CE, FCC
Input Connector	9V~29V / 6 pin (P/N: B6902060)
Output Connector	ATX 20 pin + 12V 4 pin
Dimension (WxDxH)	100 x 45 x 22.5 mm
Operation Temperature	-40°C to 75°C

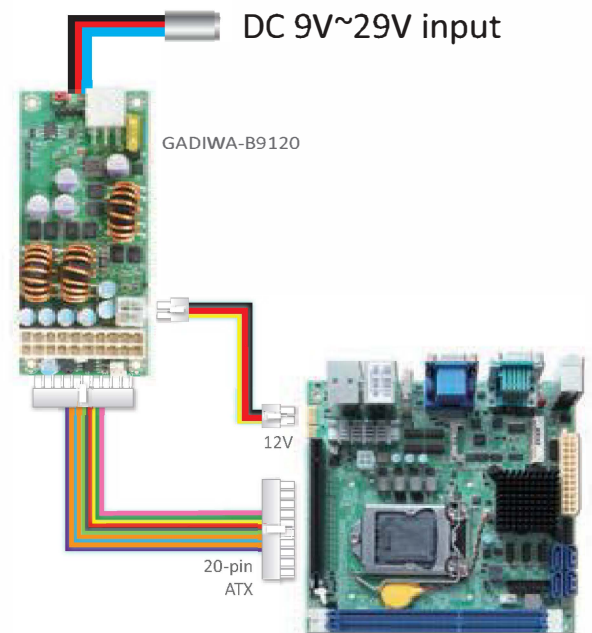
## CHARACTERISTICS

Output Voltage	Load Regulation	Cross Regulation
+12V	0~6A	6A
+5V	0~6A	6A
+3.3V	0~6A	6A
+5Vsb	0~2A(Share with +5V)	2A(Share with +5V)
-12V	0~0.1A	0.1A

## ORDERING GUIDE

- **GADIWA-B9120**  
120W DC/DC 9V~29V/wide-input.ATX/output.Wide Temperature.Board Type Converter

## INSTALLING DEMOSTRATION



## MECHANICAL DRAWING

