

IPPC17A9-RE / IPPC19A9-RE Intel® Core™ i3 Processor Heavy-Duty Industrial Panel PC

IPPC Series **17"** **19"**



I/O View



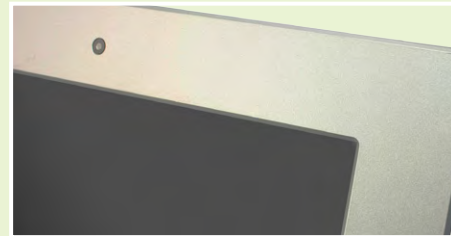
IPPC17A9-RE / IPPC19A9-RE

Features

- 2nd/3rd Generation Intel® Core™ processor
- 12V~24V wide-range DC-in power input
- Auto brightness adjustment with front dimming sensor
- Front keypads for OSD adjustment and function keys
- Two PCI expansion slots
- IP65 front-panel protection
- Auto dimming sensor



- Aluminum front bezel



- Brightness / volume control, F1~F5 function keys
LAN and serial ports LED indicators



IPPC17A9-RE / IPPC19A9-RE

Specifications

Model No.		IPPC17A9-RE	IPPC19A9-RE
Display & Touch Screen	Display Size	17" TFT-LCD	19" TFT-LCD
	Max. Resolution	1280 x 1024	1280 x 1024
	Luminance (cd/m ²)	350	350
	Contrast	800:1	1000:1
	Max. Color	16.7M	16.7M
	View Angle (H°/V°)	170/170	170/160
	Backlight Lifetime(hrs)	50000	50000
	Touch Type	Resistive	Resistive
	Touch Interface	USB	USB
	Light Transmission (%)	81	81
	Point of touch	1	1
I/O Interface	USB 3.0	2	2
	USB 2.0	2	2
	RS-232/422/485 Selectable under BIOS	2	2
	RS-232	1	1
	LAN	2x GbE	2x GbE
	Additional Graphics	DVI-I	DVI-I
	Audio	Mic-in / Line-out	Mic-in / Line-out
	Digital I/O	4in/4out	4in/4out
	Power Connector	3-pin terminal block	3-pin terminal block
	Power Button	None	None
Mechanical	Dimensions (mm)	430 x 365 x 109.5	465 x 390 x 109.5
	Net Weight (kgs)	9.2	9.7
System	Processor	Intel® Core™ i3-2340UE 1.3GHz	Intel® Core™ i3-2340UE 1.3GHz
	Memory	2x DDR3-1333 SO-DIMM up to 16GB	2x DDR3-1333 SO-DIMM up to 16GB
	Thermal Design	With fan	With fan
	Membrane Control	Brightness up/down, Volume up/down, Power button, F1~F5 function keys, COM & LAN port indicator	Brightness up/down, Volume up/down, Power button, F1~F5 function keys, COM & LAN port indicator
	Built-in Speaker/MIC	2x Speaker	2x Speaker
Expansion	Internal Expansion Bus	2x Mini PCI-E half/full size	2x Mini PCI-E half/full size
	Expansion Slot	2x PCI slot	2x PCI slot
	Wireless	Optional Wi-Fi/BT	Optional Wi-Fi/BT
Storage Space	HDD	1x 2.5" SATA	1x 2.5" SATA
	Removable	1x CFAST slot	1x CFAST slot
Power	Power Input Range	12V~24V DC	12V~24V DC
Construction	Chassis Material	Aluminum & SPCC	Aluminum & SPCC
	Color (Front/Back)	Silver / Silver	Silver / Silver
	IP Rating	IP65 front bezel	IP65 front bezel
	Mounting	Panel mount and VESA 75x75 and 100x100 mm	Panel mount and VESA 75x75 and 100x100 mm
Environmental	Operating Temperature	0°C ~ 45°C	0°C ~ 45°C
	Storage Temperature	-20°C ~ 80°C	-20°C ~ 80°C
	Storage Humidity	5%~90% @ 45°C (non-condensing)	
	Certification	CE/FCC Class B	
	Supported Operating Systems	Windows Embedded Standard 7, Windows 7 Pro for Embedded	

01

Vertical Applications
Panel PC

02

Stainless Steel
Panel PC

03

All-In-One Panel
PC with Riser Card
Expansion

04

Compact Panel PC

05

Heavy-duty
Industrial Panel PC

06

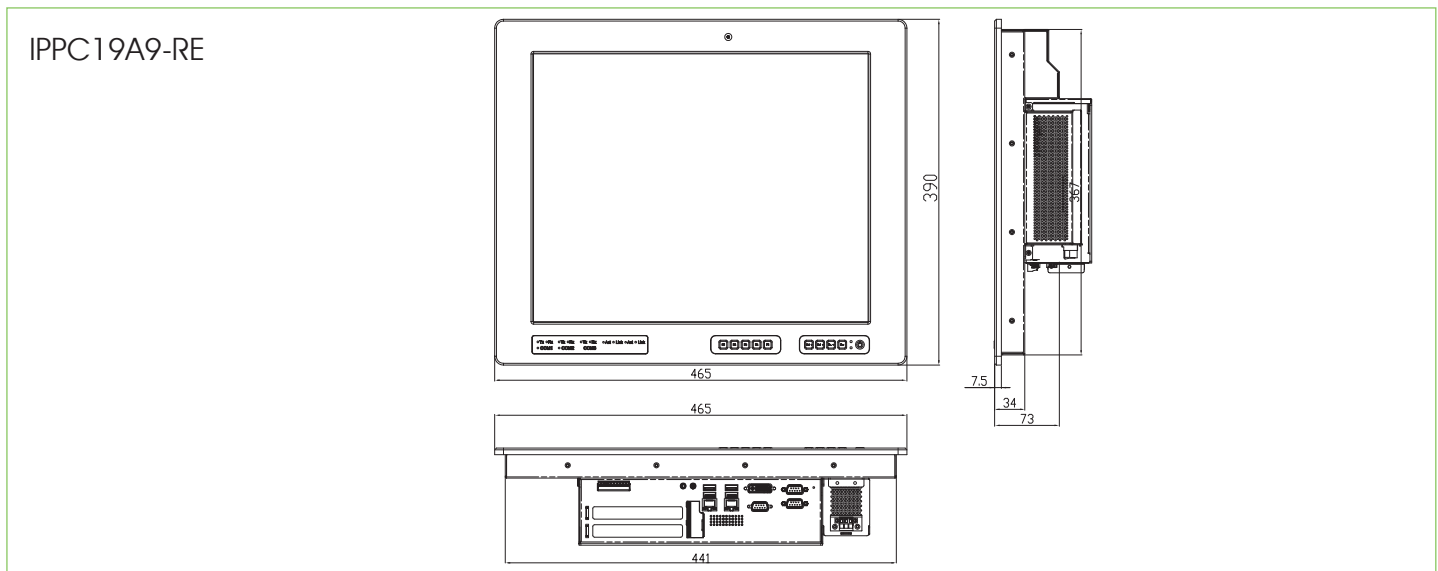
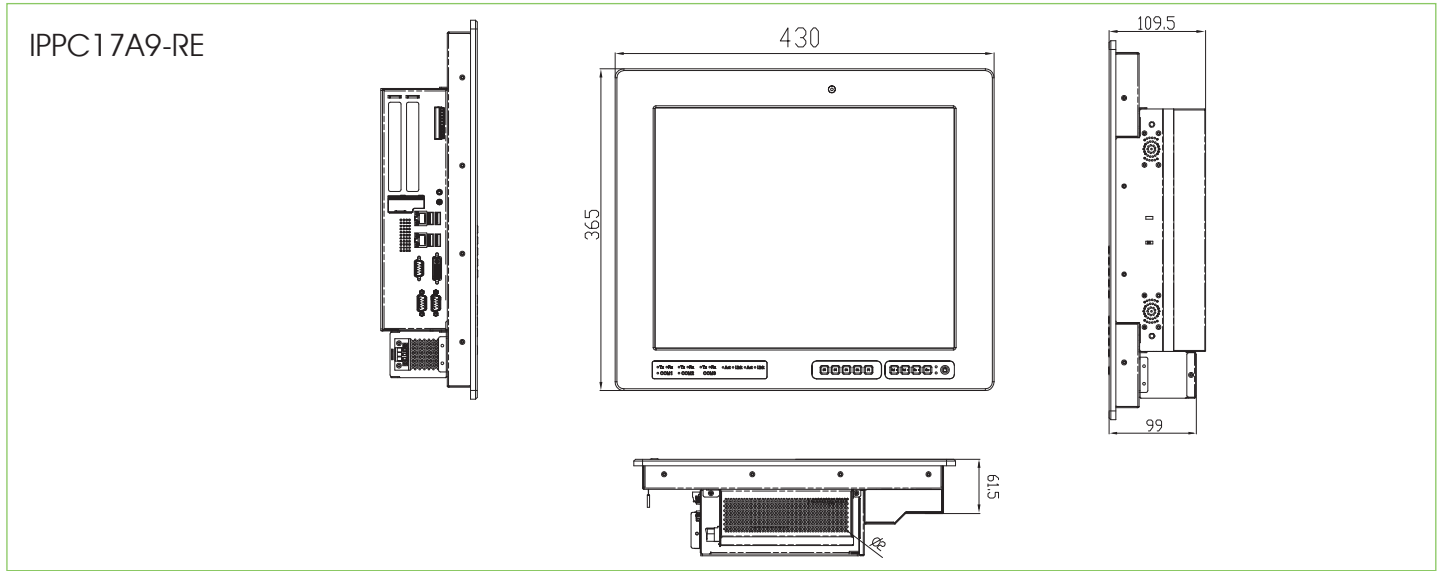
ARM-Based
Panel PC

07

ARM-Based HMI

IPPC17A9-RE / IPPC19A9-RE

Dimensions



Ordering Information

IPPC17A9-RE	17" (1280 x 1024) Modular Panel PC with resistive touch, with IB907 Intel® Core™ i3-2340UE 1.3GHz CPU, 4GB DDR3-1333 SO-DIMM, 320G HDD, 12V-24V wide range DC input, w/o power adaptor
IPPC19A9-RE	19" (1280 x 1024) Modular Panel PC with resistive touch, with IB907 Intel® Core™ i3-2340UE 1.3GHz CPU, 4GB DDR3-1333 SO-DIMM, 320G HDD, 12V-24V wide range DC input, w/o power adaptor
Power adaptor (optional)	AC 90V~240V input, 12V DC output 84W power adaptor IBASE P/N: A005PS084W0050000P

01

Vertical Applications
Panel PC

02

Stainless Steel
Panel PC

03

All-in-one Panel PC with
Riser Card Expansion

04

Compact Panel PC

05

Heavy-duty
Industrial Panel PC

06

ARM-Based
Panel PC

07

ARM-Based HMI