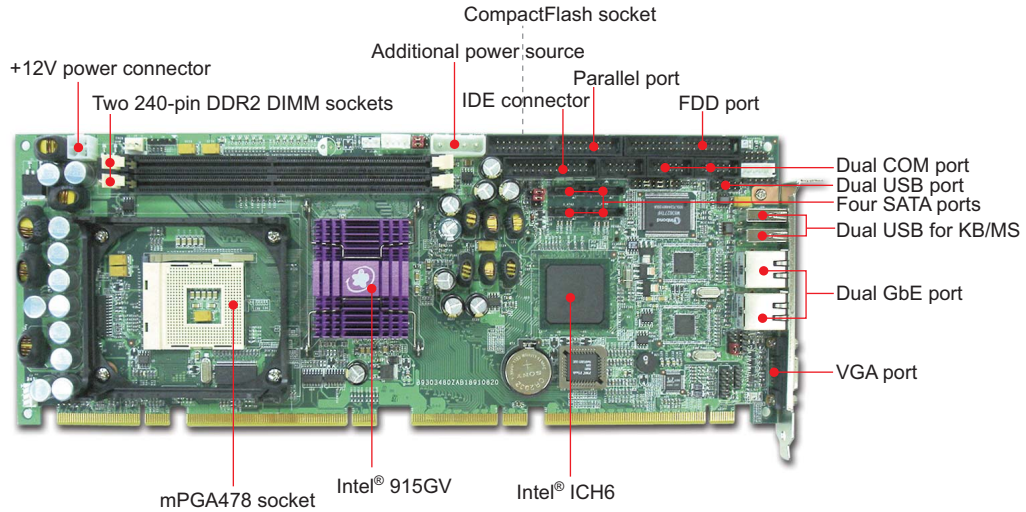




ROBO-8910VG2A

Intel® Pentium® 4 or Celeron® D processor based PICMG 1.3 SHB with DDR2 533 SDRAM, VGA, Dual Gigabit Ethernet and Audio



FEATURES

- High quality and reliable design for wider range Intel Pentium® 4/Celeron® D processor support mission critical operation
- Intel® 915GV chipset with high performance integrated graphics, backed up by Intel® EIA's long product life support
- Intel® new integrated engine GMA 900 provides better display quality and effects thru faster engine and SGI OpenGL 1.4, Microsoft DirectX 9.0 support
- Dual Gigabit Ethernet port for fail-over, load balance and so on applications
- Four SATA 150 ports for high speed storage interface and easy routing of cable
- Support four PCI Express x1, one PCI Express x16(915G) and four PCI expansion via backplane (additional one PCI Express x16 by project based)

ORDERING GUIDE

Standard	ROBO-8910VG2A Socket 478 Pentium® 4 or Celeron® D processor based PICMG 1.3 SHB with DDR2 533 SDRAM, VGA, Dual Gigabit Ethernet and Audio
Optional	PA-M1AU Multimedia kit with audio and USB ports PS/2 Keyboard/Mouse with Bracket PS/2 keyboard/mouse connectors on bracket

* Specifications are subject to change without notice.
 * Celeron®, Pentium® III, Pentium® 4 and Xeon™ are registered trademarks of Intel® Corporation
 * Other trademarks, logo, brands and company names are the property of their respective owners

General

CPU	CPU & Package: Intel® Pentium® 4 or Celeron® D processor in the mFCPGA package FSB: 800/533MHz
Chipset	Intel® 915GV and ICH6
System Memory	Up to 2GB DDR2 533/400 SDRAM on two 240-pin DIMM sockets
BIOS	Award BIOS
Display	- Intel® 915GV integrated Intel Graphics Media Accelerator 900 (Intel GMA 900) - Dynamic share system memory up to 224MB (Intel® DVMT 3.0) or static share system memory up to 128MB - Display resolution up to 2048x1536 @ 85Hz refresh - Provide incredible visual quality, smooth video playback, and support for key 3D features
Ethernet	- 10BASE-T/100BASE-TX/1000BASE-T Ethernet - Dual RJ-45 connector with two LED indicators
Audio	AC'97 2.3 Audio
SCSI	N/A
PCI Express Interface	- Four PCI Express x1
PCI	- Four PCI master
EIDE	Support two EIDE devices with Ultra DMA 100/66/33
Solid State Disk	One Type II CF socket; On Primary EIDE channel; Bootable for no drive on primary channel
I/O	- Support four SATA 150 drives - Two serial, one parallel, one IrDA and eight USB 2.0 ports (two ports on bracket for keyboard & mouse) - 8 high driving GPIO (4 GPI/GPO programmable, 4 GPO)
ACPI Function	Wake-On-LAN
Hardware Monitoring	System monitor (fan, temperature, voltage)
Watchdog Timer	Programmable via software from 0.5 sec. to 254.5 min.
Power Requirement	TBA
Mechanical	Dimension : 338.5(L) x 126.39(W) / 13.33"(L) x 4.98" (W); PCB : 8-layer
Environmental	Operating Temperature: 0 to 60°C; Storage Temperature: -20 to 80°C Relative Humidity: 5% to 90%, non-condensing
Approval	CE, FCC Class A